

NG SERIES Needle Valve



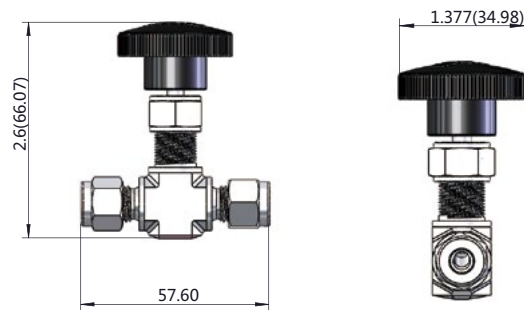
Features

- Maximum working pressure: 6000 psig (414 bar)
- Working temperature
 - PTFE: -65°F to 450°F (-54°C to 232°C)
 - PEEK: -65°F to 600°F (-54°C to 315°C)
- Compact design
- Leak-tight performance testing for every valve with nitrogen at the maximum working pressure

Technical Data

Body Material	316 Stainless steel
Handle	Black Knob, Anodized aluminum, Stainless steel
Panel Nut	316 Stainless steel
Maximum Working Pressure	6000 psig (414 bar)
Working Temperature	PTFE: -65°F to 450°F (-54°C to 232°C) PEEK: -65°F to 600°F (-54°C to 315°C)
Stem	316 Stainless steel
Packing	PTFE or PEEK
Size	1/4" to 1/2"
End Connection	NAI-LOK tube fitting or NPT thread

Dimension (mm)



Dimension drawings shown are for reference only.

Ordering Information

NG	S	N	N	4
BASIC SERIES	MATERIAL	INLET CONNECTION	OUTLET CONNECTION	SIZE
NG	S - 316 Stainless steel	M-Male NPT N-NAI-LOK F-Female NPT	M-Male NPT N-NAI-LOK F-Female NPT	4-1/4 in. 6-3/8 in. 8-1/2 in.

*Other end connection sizes please contact factory